

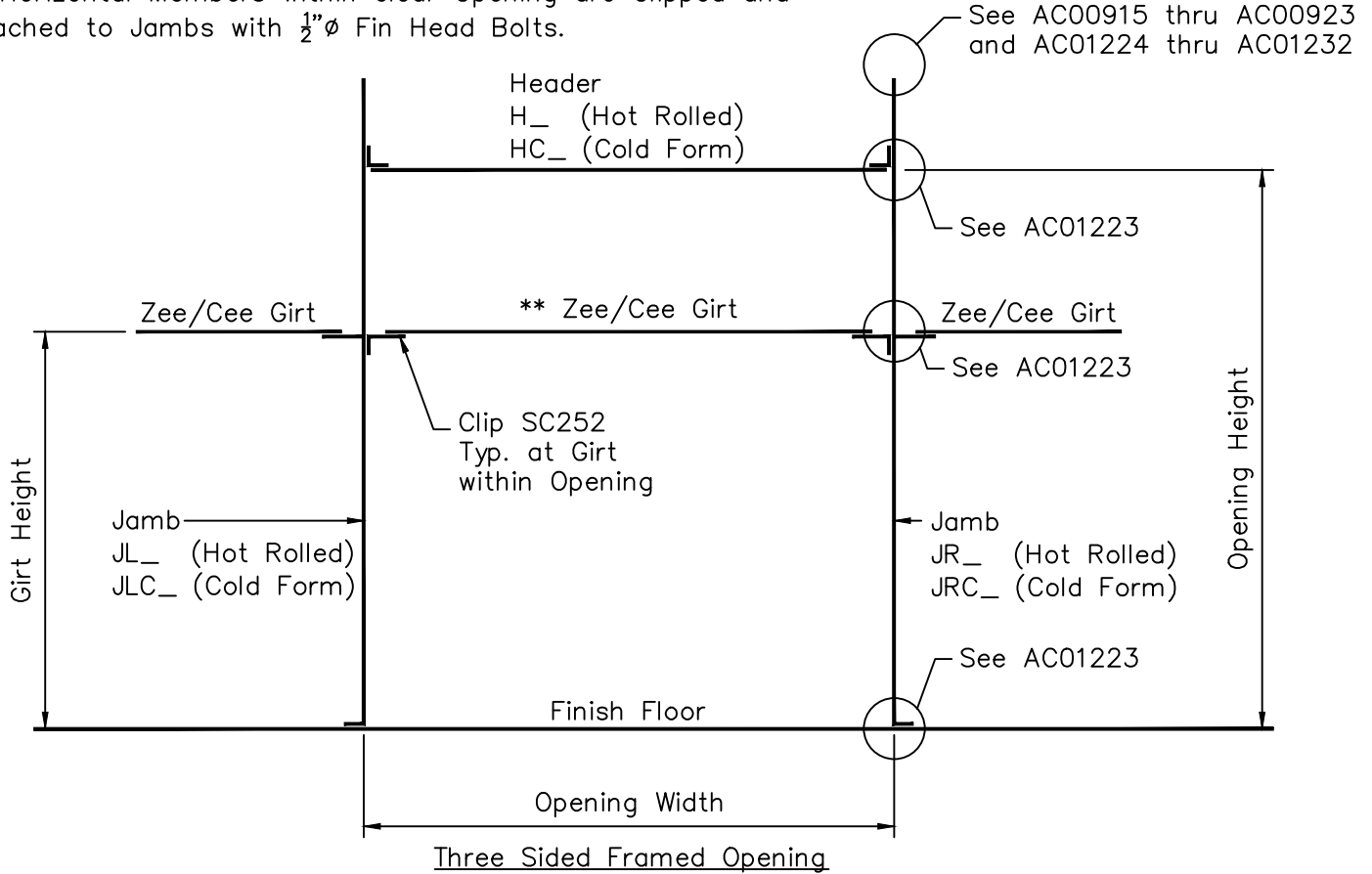
Welded Clips - Framed Opening Connections

Cold Form and Hot Rolled Cee - Three and Four Sided Openings

Page **AC01220**

Date **Nov '11** Rev. **01**

Note;
All Horizontal Members within clear Opening are Clipped and attached to Jambs with $\frac{1}{2}$ " ϕ Fin Head Bolts.



** Girt within opening is provided when Framed Opening is to be paneled over.

